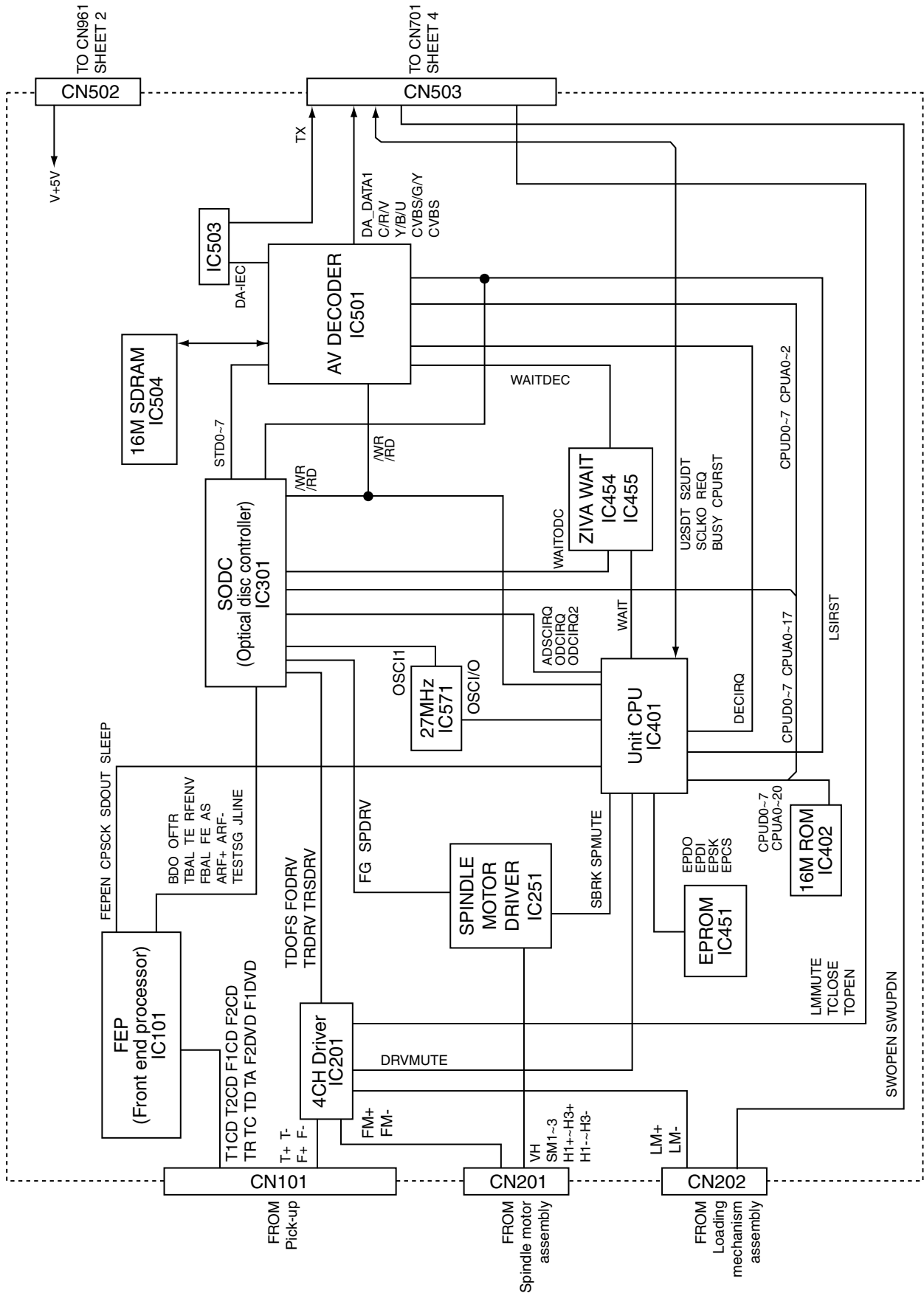


***Safety precaution***

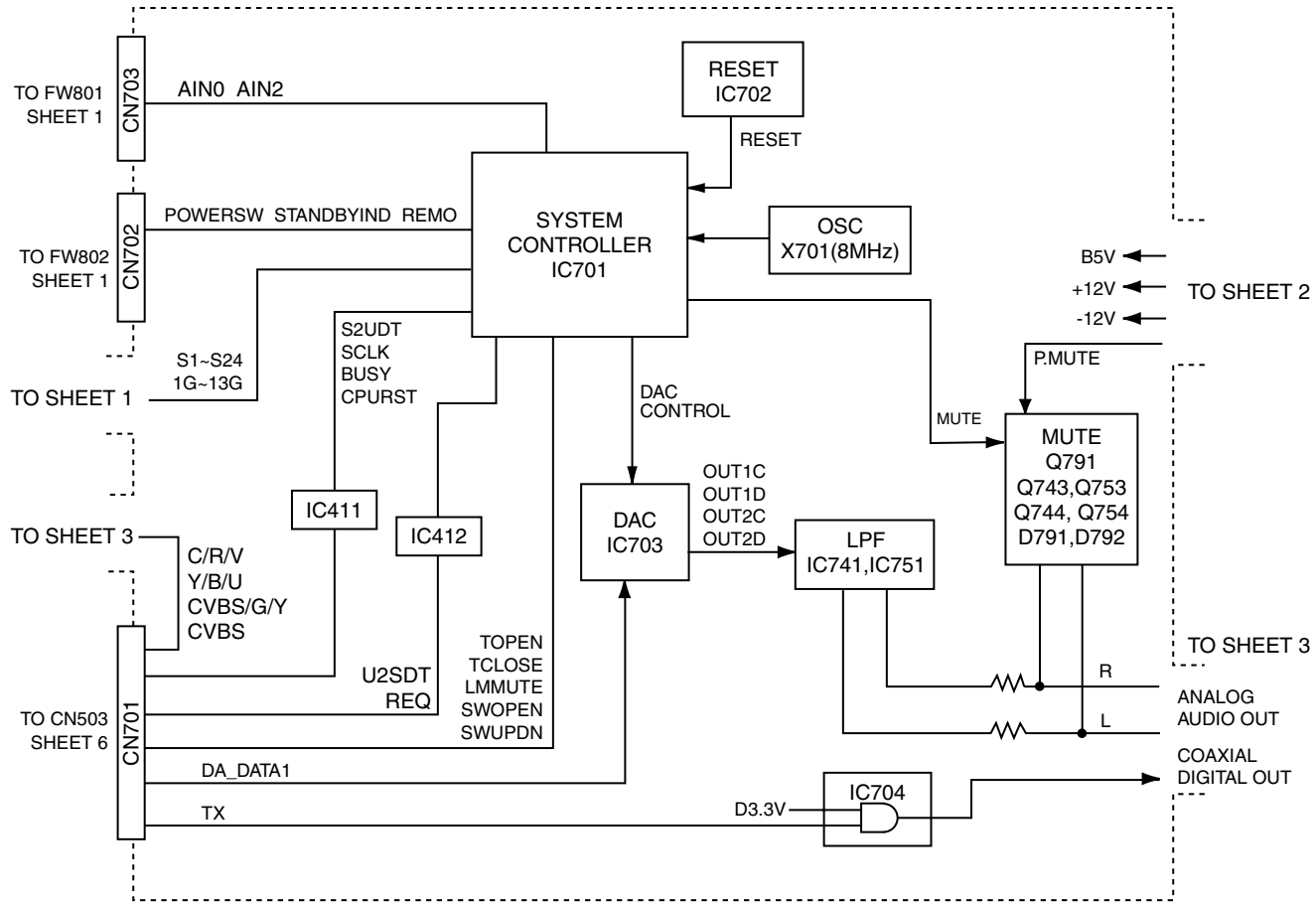
In regard with component parts appearing on the silk-screen printed side (parts side) of the PWB diagrams, the parts that are printed over with black such as the resistor (■), diode (▣) and ICP (●) or identified by the "⚠" mark nearby are critical for safety. When replacing them, be sure to use the parts of the same type and rating as specified by the manufacturer. (Except the JC version)

# Block diagrams

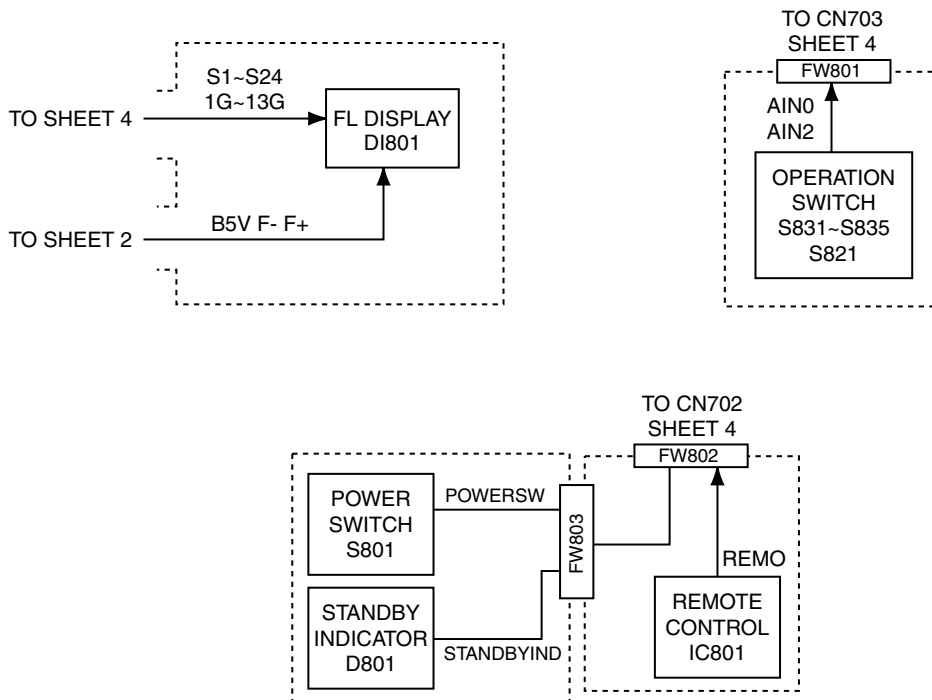
## ■ DVD Servo control & AV decoder section(SHEET 5,6)



■ System control & audio output section(SHEET 4)

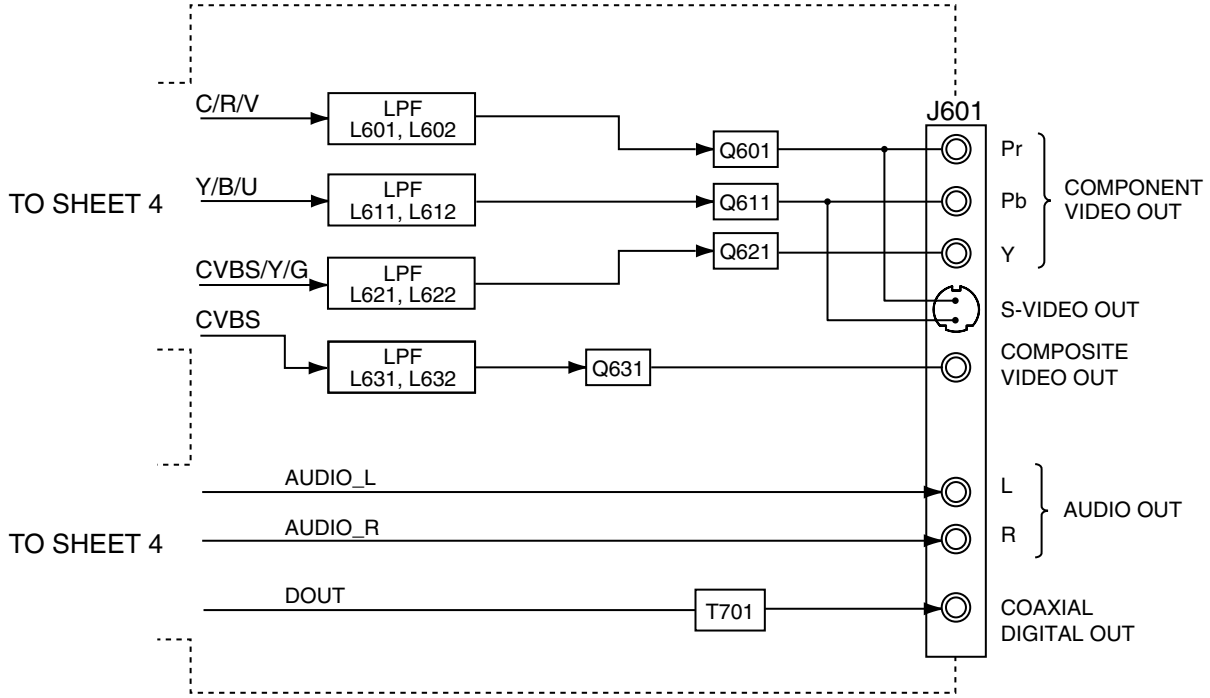


■ FL Display & Operation switch section(SHEET 1)





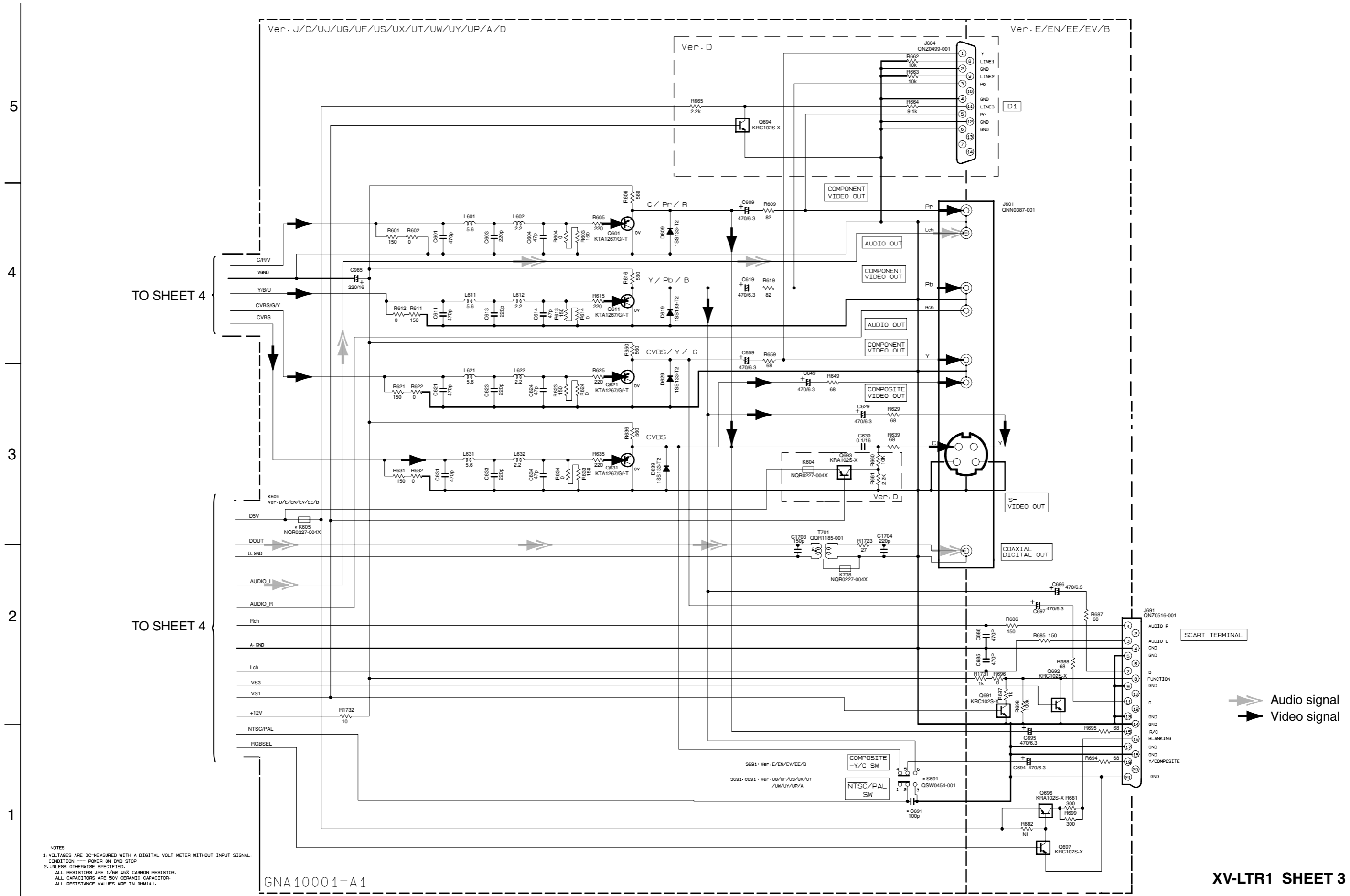
■ Audio & Video signal output section(SHEET 3)







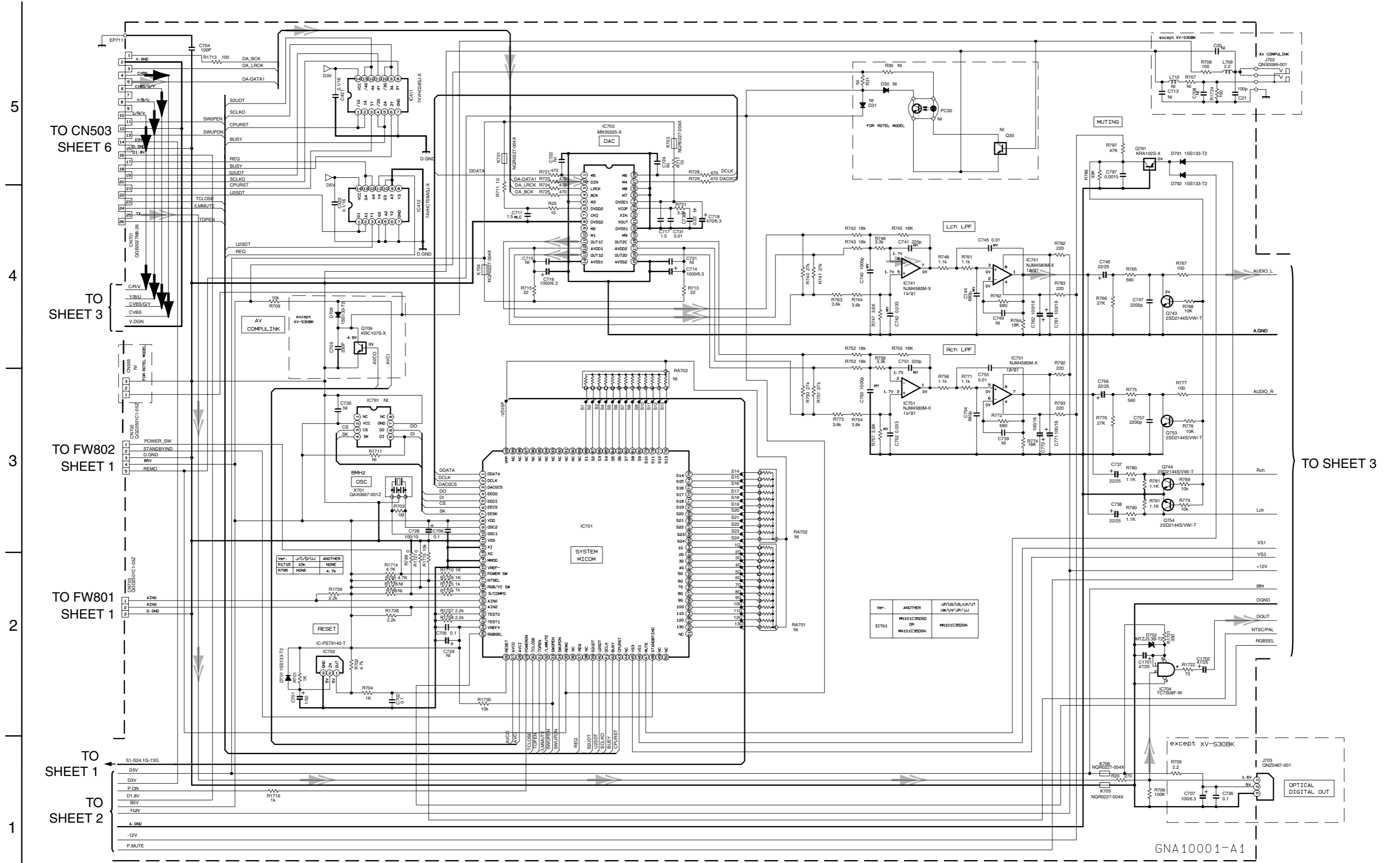
Audio / video signal output section



NOTES  
 1. VOLTAGES ARE DC-MEASURED WITH A DIGITAL VOLT METER WITHOUT INPUT SIGNAL. CONDITION --- POWER ON DVD STOP  
 2. UNLESS OTHERWISE SPECIFIED:  
 ALL RESISTORS ARE 1/6W ±5% CARBON RESISTOR.  
 ALL CAPACITORS ARE 50V CERAMIC CAPACITOR.  
 ALL RESISTANCE VALUES ARE IN OHM(Ω).



System control & audio signal DAC section



5  
4  
3  
2  
1

TO CN503 SHEET 6

TO SHEET 3

TO FW802 SHEET 1

TO FW801 SHEET 1

TO SHEET 1

TO SHEET 2

TO SHEET 3

OPTICAL DIGITAL OUT

GNA10001-A1

➔ Audio signal  
➤ Video signal

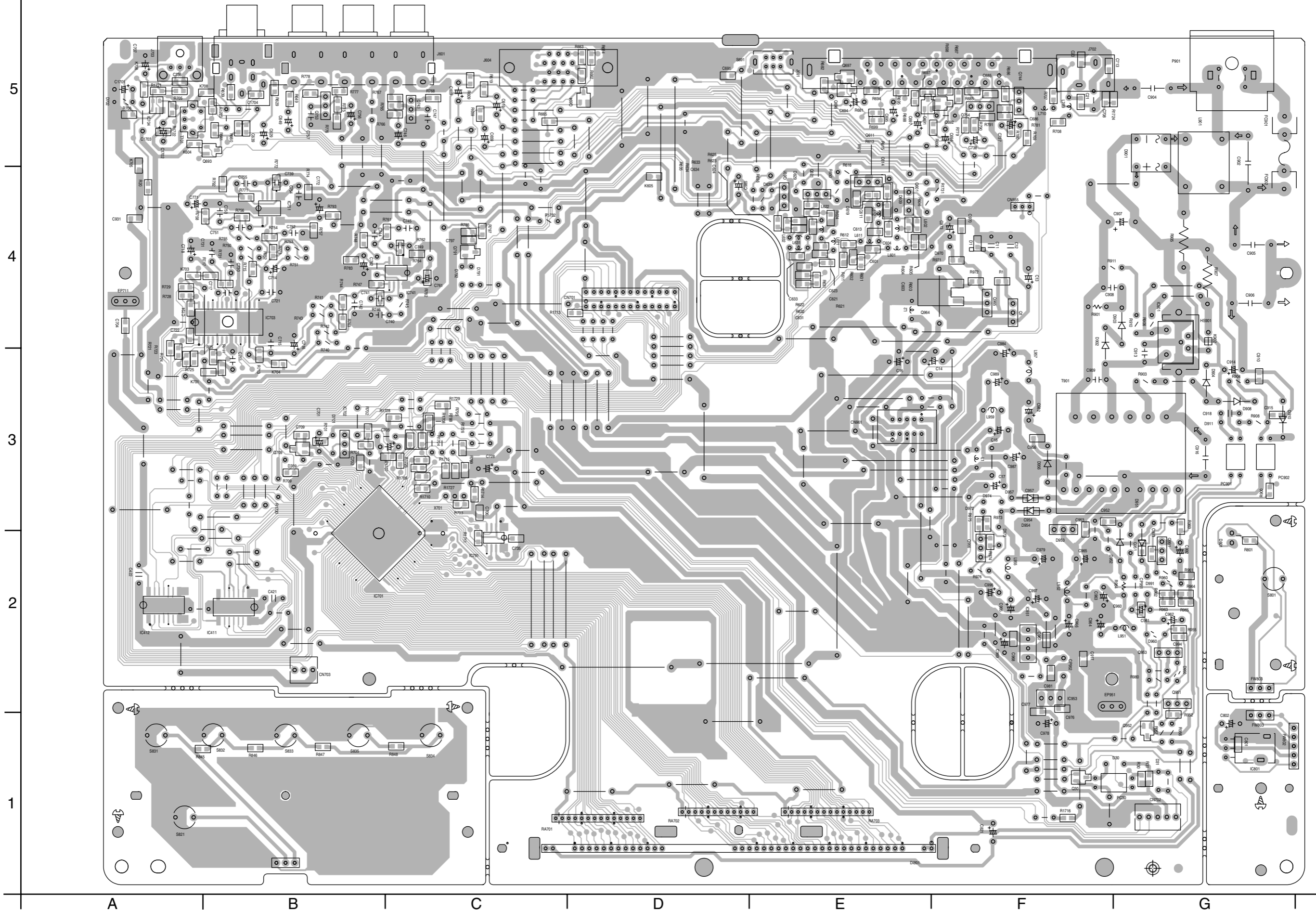
A B C 2-10 D E F G H





# Printed circuit boards

■ Main board



DVD Servo control board

(Forward side)

(Reverse side)

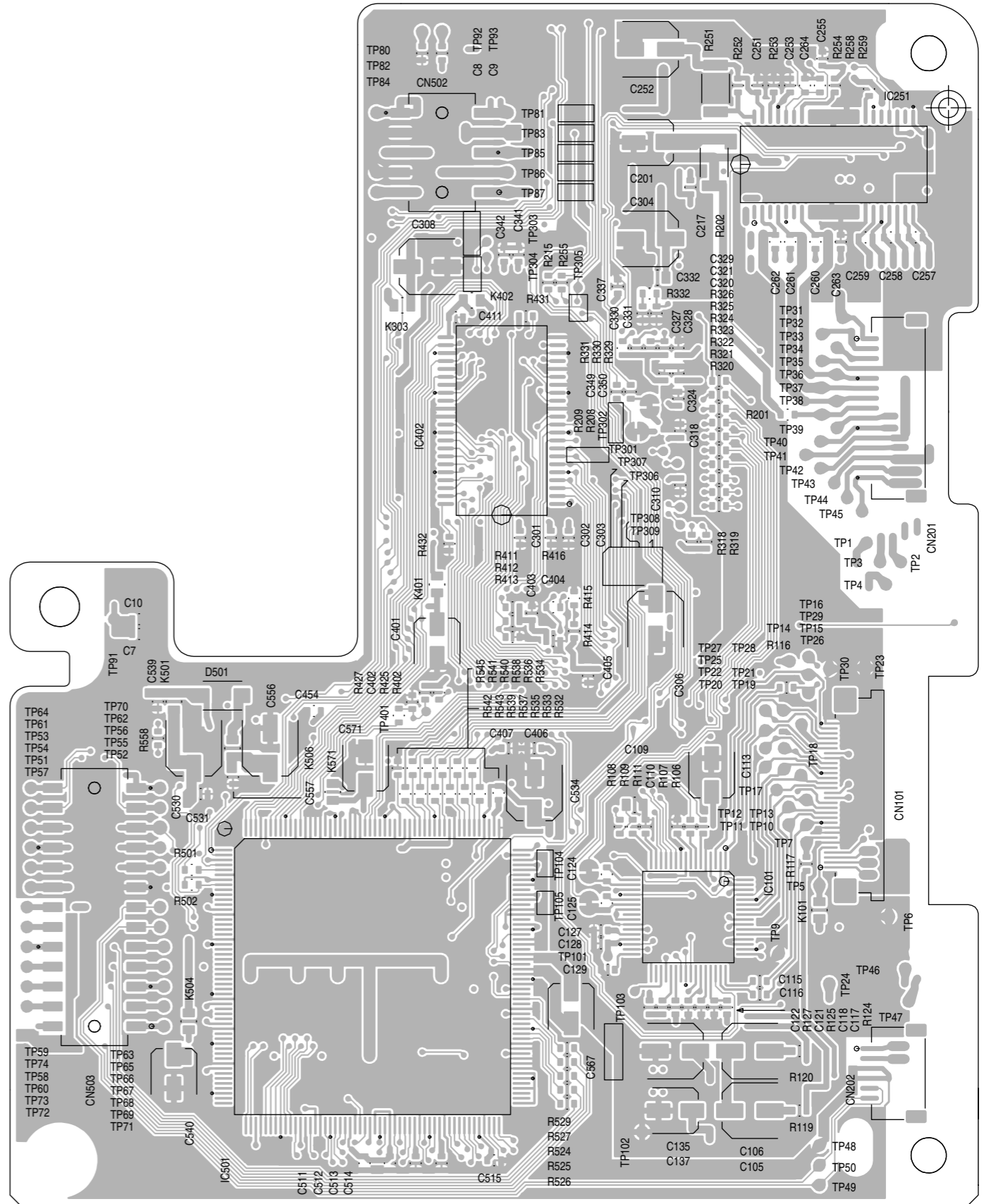
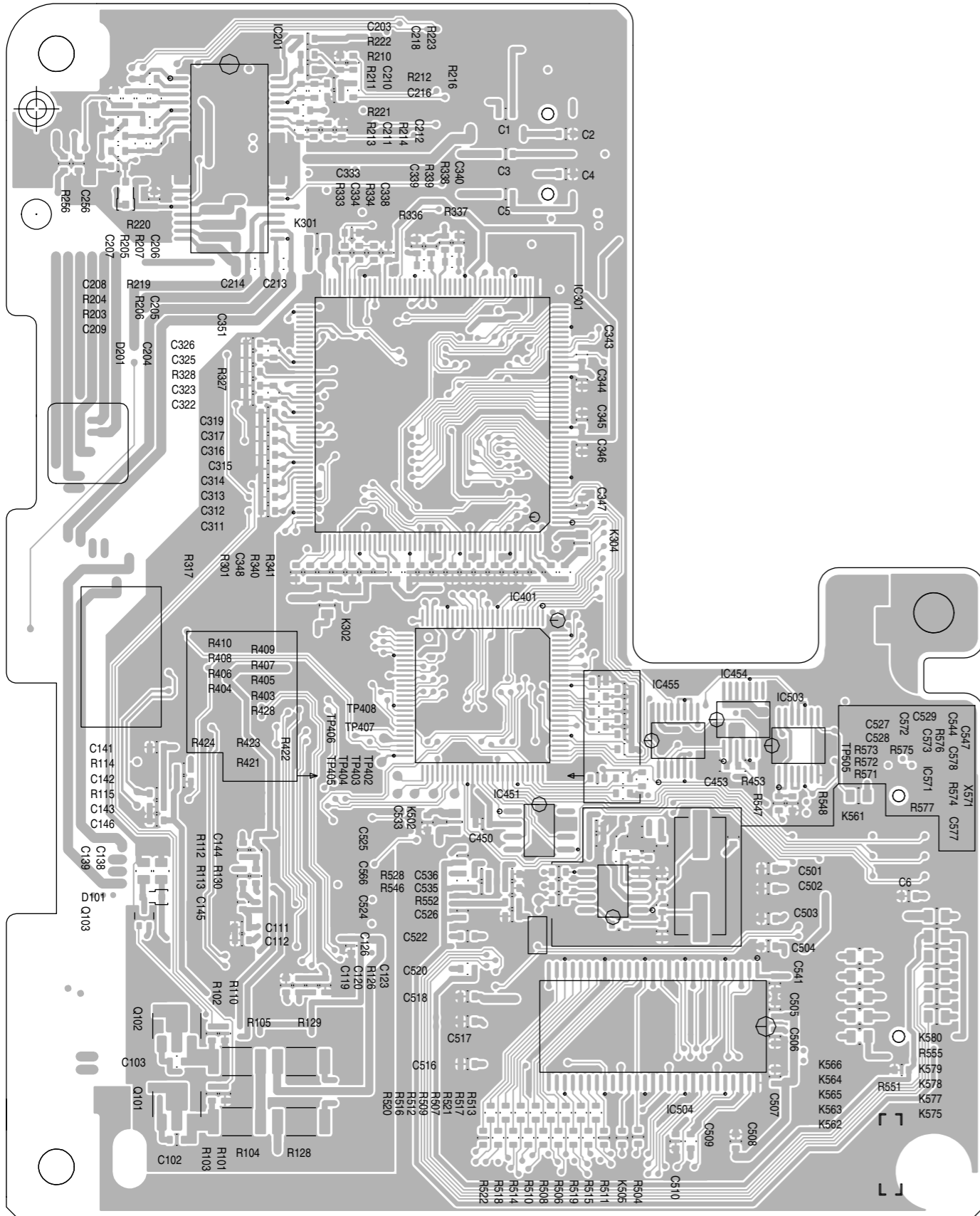
5

4

3

2

1



A

B

C

2-14

D

E

F

G

H